

LOW PROFILE TENSION AND COMPRESSION LOAD CELL

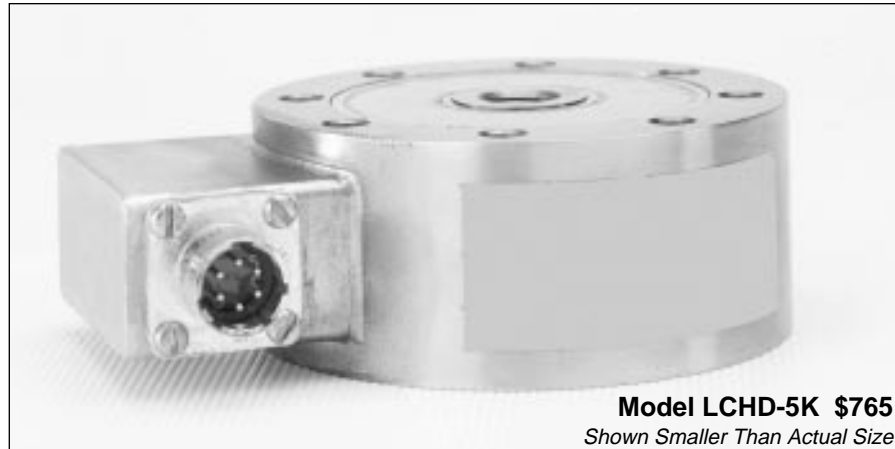
\$765

Model LCHD-5K Shown

LCHD Series
Tension/Compression
Calibrated in Compression

5 lb to 500,000 lb
20 N to 2 MN

1 Newton = 0.2248 lb
1 daNewton = 10 Newtons
1 lb = 454 g
1 t = 1000 kg = 2204 lb



Model LCHD-5K \$765
Shown Smaller Than Actual Size

- All Stainless Steel Construction
- Rugged Heavy Duty Design
- High Accuracy
- Low Profile For Easy Installation

➔ **Most Popular Models Highlighted** ◀

Prices Shown in U.S. Dollars

Models Available with Built-In Amplifiers

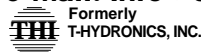
For Sales and Service In U.S.A. and Canada

1-800-872-3963SM
1-800-USA-DYNE

International Customers Dial
(614) 965-9340
24-Hour FAX (614) 965-9438

OMEGADYNESM FAX
OMEGADYNE's 24-Hour
On-Line Publishing Service
1-800-344-3963SM
1-800-DIG-DYNE
Document # 3625

OMEGADYNE, Inc.
149 Stelzer Court, Sunbury, OH 43074
<http://www.omegadyne.com>
e-mail: info@omegadyne.com



© COPYRIGHT 1996 OMEGADYNE, INC. ALL RIGHTS RESERVED.

To Order: (Specify Model Number)			
Capacity (lb)	Model Number	Price	Compatible Meters
±5	LCHD-5	\$765	INFW, INFS, INFCS
±10	LCHD-10	765	INFW, INFS, INFCS
±25	LCHD-25	765	INFW, INFS, INFCS
±50	LCHD-50	765	INFW, INFS, INFCS
±100	LCHD-100	765	INFW, INFS, INFCS
±250	LCHD-250	765	INFW, INFS, INFCS
±500	LCHD-500	765	INFW, INFS, INFCS
±1K	LCHD-1K	765	INFW, INFS, INFCS
±2K	LCHD-2K	765	INFW, INFS, INFCS
±3K	LCHD-3K	765	INFW, INFS, INFCS
±4K	LCHD-4K	765	INFW, INFS, INFCS
±5K	LCHD-5K	765	INFW, INFS, INFCS
±7.5K	LCHD-7.5K	765	INFW, INFS, INFCS
±10K	LCHD-10K	935	INFW, INFS, INFCS
±15K	LCHD-15K	935	INFW, INFS, INFCS*
±20K	LCHD-20K	1075	INFW, INFS, INFCS*
±30K	LCHD-30K	1075	INFW, INFS, INFCS*
±50K	LCHD-50K	1075	INFW, INFS, INFCS*
±75K	LCHD-75K	1580	INFW, INFS, INFCS*
±100K	LCHD-100K	2800	INFW, INFS, INFCS*
±150K	LCHD-150K	3600	INFW, INFS, INFCS*
±200K	LCHD-200K	3600	INFW, INFS, INFCS*
±300K	LCHD-300K	6200	INFW, INFS, INFCS*
±400K	LCHD-400K	7200	INFW, INFS, INFCS*
±500K	LCHD-500K	9000	INFW, INFS, INFCS*

Metric Ranges Available - Consult Engineering

Note: Models >300,000 lb are calibrated at 300,000 lb – see specifications.

Ordering Examples: 1.) LCHD-500 is a 500 lb capacity load cell, \$765.

Mating connector, (included) PT06F-10-6S.

2.) LCHD-10K is a 10,000 lb capacity load cell, \$935.

Mating connector, (included) MS3102E-14S-6S.

* 4 Digit meter





SPECIFICATIONS

Output (FSO): 2 mV/V $\pm 0.25\%$ ≤ 25 lb
 3 mV/V $\pm 0.25\%$ ≥ 50 lb

Excitation: 10 Vdc/ac (15 V max)

Accuracy Class: $\pm 0.25\%$ ≤ 25 lb
 $\pm 0.1\%$ ≥ 50 lb

Note: Models $> 300,000$ lb are calibrated to 300,000 lb. Full scale calibration above 300,000 lb within $\pm 1\%$ available. Add Suffix "-FS" to the model number and \$1,500 to price.

Linearity: $\pm 0.20\%$ FSO ≤ 25 lb
 $\pm 0.10\%$ FSO ≥ 50 lb

Hysteresis: $\pm 0.10\%$ FSO ≤ 25 lb
 $\pm 0.08\%$ of FSO ≥ 50 lb

Repeatability: $\pm 0.1\%$ FSO ≤ 25 lb
 $\pm 0.03\%$ of FSO ≥ 50 lb

Zero Balance: $\pm 1.0\%$ of FSO

Operating Temp Range:
 -54 to 121°C (-65 to +250°F)

Compensated Temp Range:
 +16 to 71°C (+60 to +160°F)

Thermal Effects: Zero: 0.002% FSO/°F
 Span: 0.002% Rdg/°F

Safe Overload: 150% of Capacity

Ultimate Overload: 300% of Capacity

Input Resistance: 350 \pm 3.5 ohms

Output Resistance: 350 \pm 5 ohms

FS Deflection: .001" to .003" typical

Construction:

$\leq 200,000$ lb: 17-4 PH Stainless Steel

$> 200,000$ lb: 4340 Alloy Steel

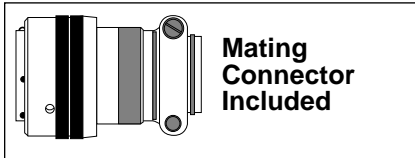
Electrical: $\leq 5,000$ lb DT02H-10-6P

$> 5,000$ lb MS3102E-14S-6P

Mating Connector Included:

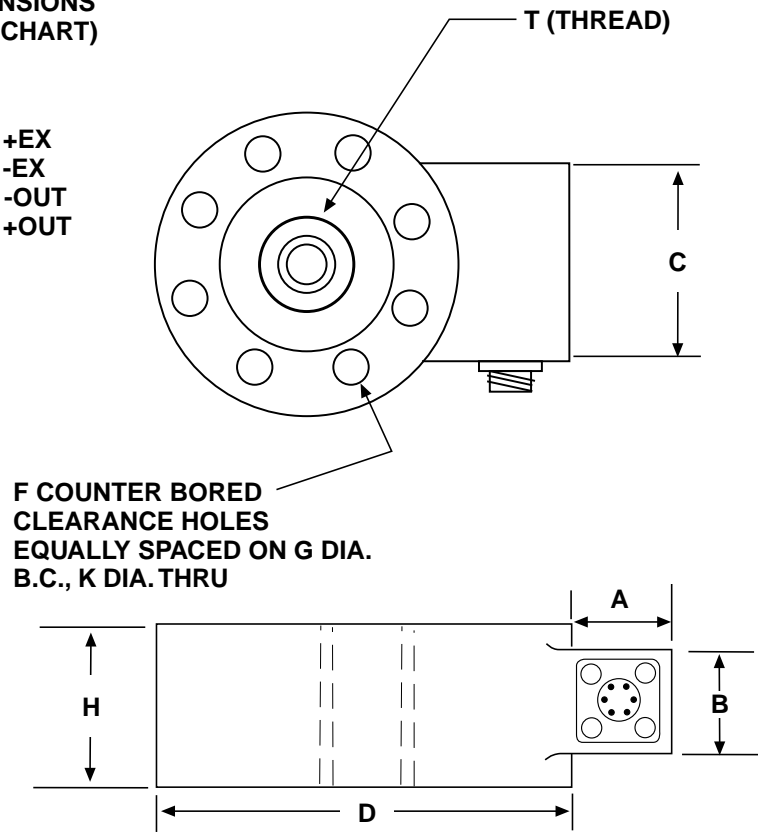
≤ 5000 lb: PT06F-10-6S

> 5000 lb: MS3102E-14S-6S



DIMENSIONS (SEE CHART)

AB = +EX
 CD = -EX
 E = -OUT
 F = +OUT



Dimensions Shown in Inches (mm)

Capacity (lb)	D	H	F	G	K	T	A	B	C
5 to 25	2.5 (64)	.80 (20)	6	2.0 (51)	.18 (4.6)	¼-28 UNF	.82 (21)	.75 (19)	1.25 (32)
50 to 1k	3.0 (76)	1.0 (25)	6	2.25 (57)	.28 (7.1)	¾-24 UNF	.82 (21)	.75 (19)	1.25 (32)
2k to 5k	3.5 (89)	1.0 (25)	6	2.63 (67)	.34 (8.6)	½-20 UNF	.82 (21)	.75 (19)	1.25 (32)
7.5k to 15k	5.5 (140)	1.8 (46)	8	4.5 (114)	.40 (10)	1-14 UNS	1.25 (32)	1.5 (38)	2.0 (51)
20k to 50k	6.0 (152)	1.8 (46)	8	4.88 (124)	.53 (13)	1½-12 UNF	1.25 (32)	1.5 (38)	2.0 (51)
75k to 100k	9.0 (229)	2.5 (64)	12	7.75 (197)	.66 (17)	2-12 UN	1.25 (32)	1.5 (38)	2.0 (51)
150k to 200k	11 (279)	3.0 (76)	12	9.5 (241)	.78 (20)	2½-12 UN	1.25 (32)	1.5 (38)	2.0 (51)
300k to 500k	14 (356)	4.25 (108)	12	11.75 (298)	1.0 (25)	3½-8 UN	1.25 (32)	1.5 (38)	2.0 (51)

Look for OMEGADYNE Products on the World Wide Web!

<http://www.omegadyne.com>
e-mail: info@omegadyne.com